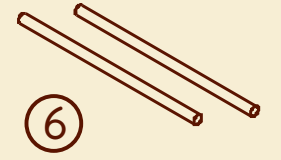
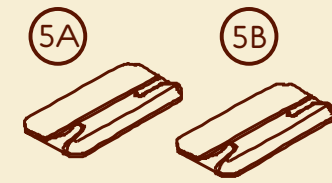
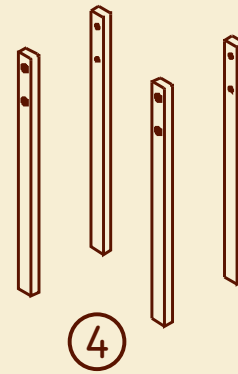
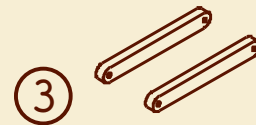
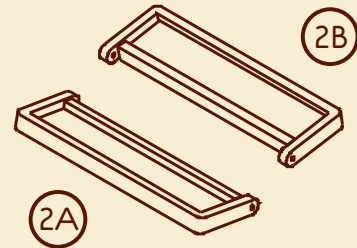
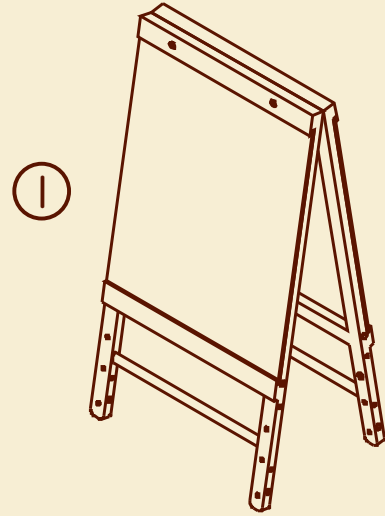


B.

Easel Does It™

3 TO 7 YEARS

LIST OF PIECES



Hardware List



Tool List

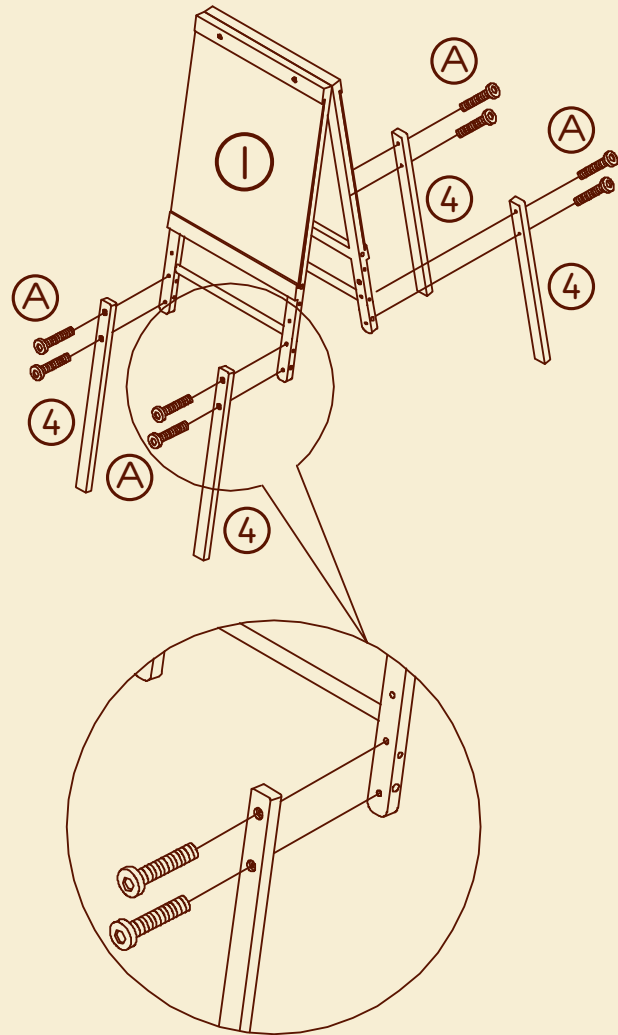


Hex wrench (included)

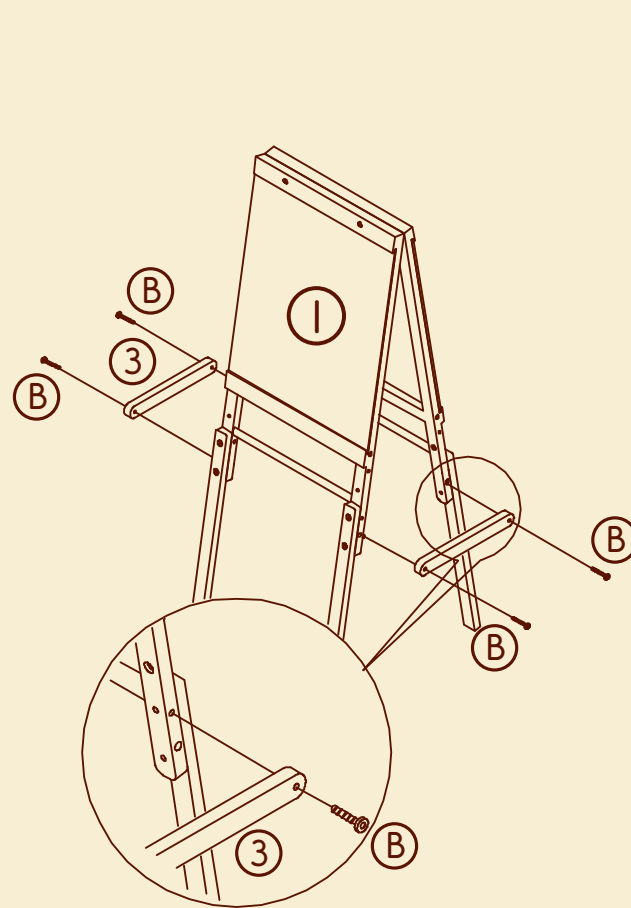
Philips screwdriver (not included)



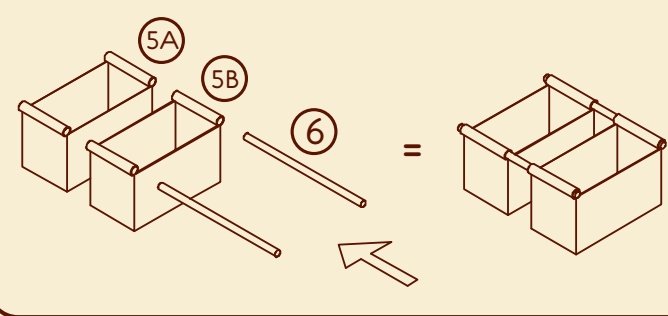
STEP 1



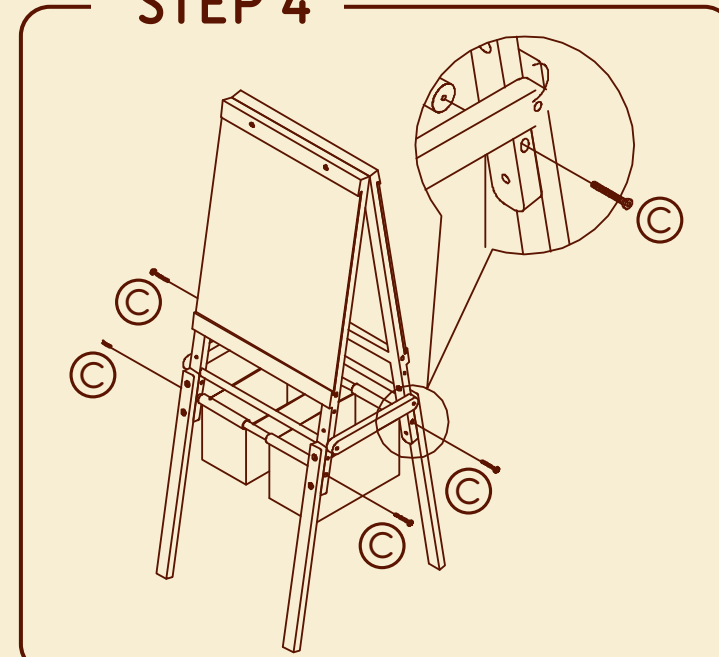
STEP 2



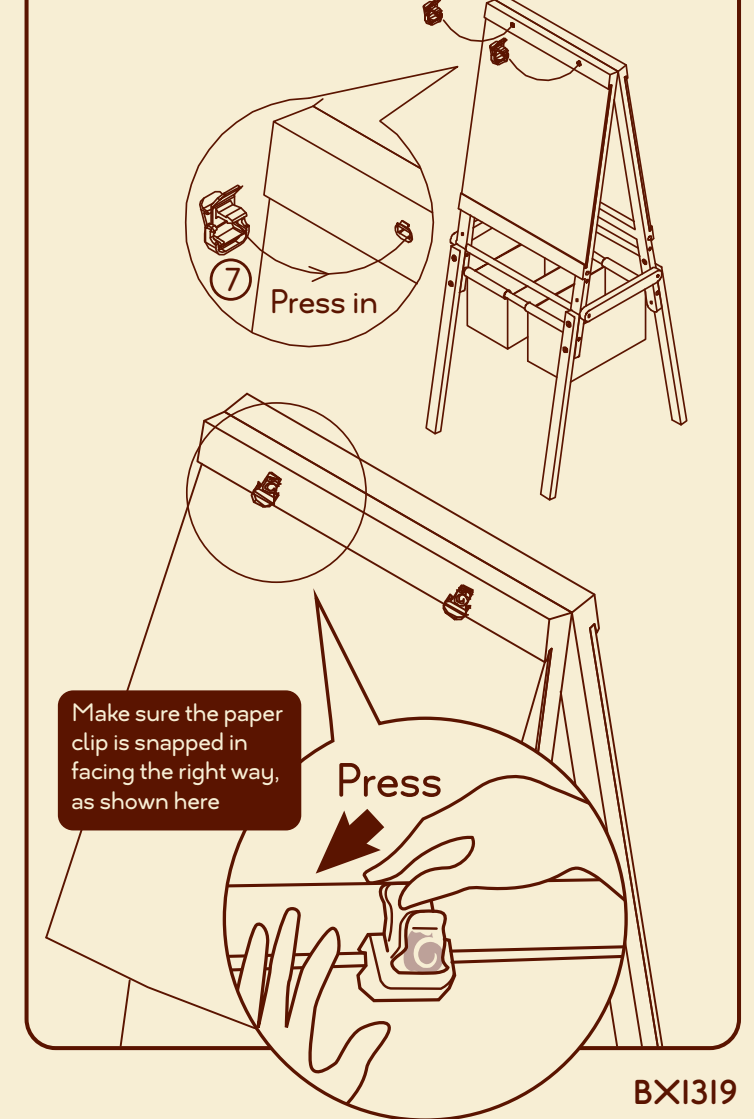
STEP 3



STEP 4



STEP 5

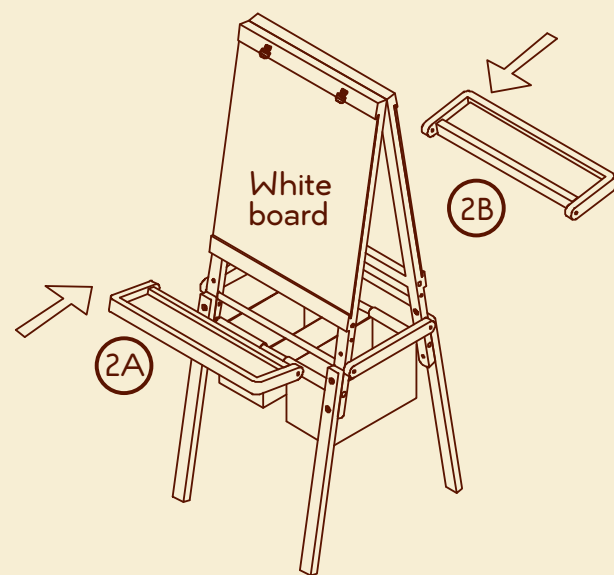


B.

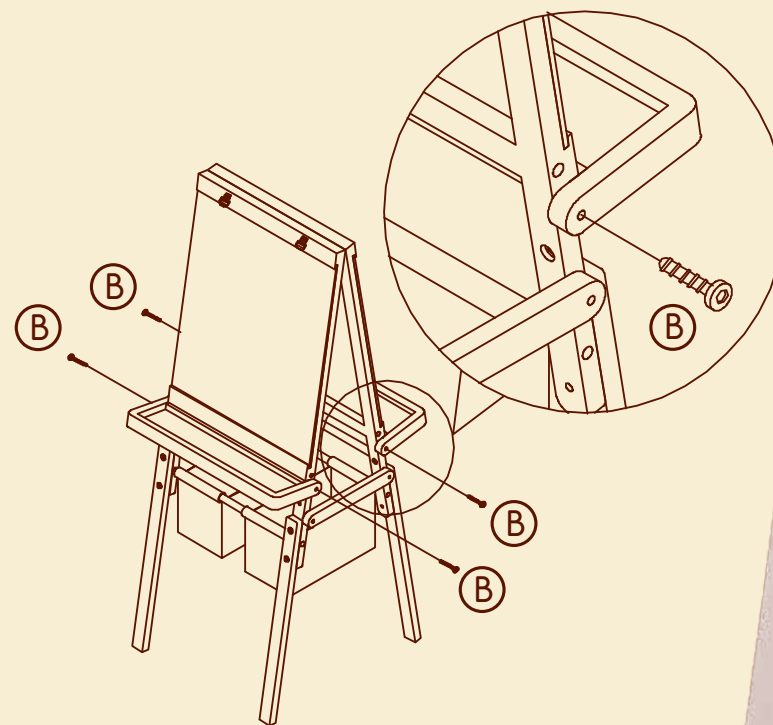
Easel Does It™

3 TO 7 YEARS

STEP 6



STEP 7



Get inspired at mybtoys.com

If you have questions, comments or are simply wondering where to hold your first exhibition, call us (toll free).

1-866-665-5524



CAUTION: Adult assembly required. Sharp points on screws, keep small parts & plastic bags out of children's reach during and after assembly.

Care Instructions:

Use washable markers and erase with damp cloth.

DOUBLE SIDED
EASEL IS JUST THE
RIGHT HEIGHT FOR
GROWING ARTISTS



100% RECYCLED
WOOD-FREE PAPER
PRINTED WITH
SOY-BASED INKS

© 2015 Maison Joseph Battat Ltd.
B. and Easel Does It and Just B. Just You. B. You are trademarks of Maison Joseph Battat Ltd.

Manufactured for Maison Joseph Battat Ltd.
8440 Darnley Road, Montreal, P.Q. H4T 1M4
Designed by Maison Joseph Battat Ltd.
Consumer Information Line: 1-866-665-5524

